
CONTEMPORARY CRUCIFORM TRIFLOW FILTER MIXER TAP

Warranty and Installation

2 Year Warranty

In the unlikely event that you should experience any defect in the materials or workmanship of your new mixer within two years of purchase, the purchaser's sole remedy shall be the replacement (at the manufacturer's discretion) of all or any part of the product that is defective. All working parts and valves are guaranteed for a period of TWO years from purchase. Decorative surface finishes and O-rings are guaranteed for ONE year from the date of purchase provided that our advice concerning care has been observed. This is provided that the mixer has been used for normal domestic purposes in the UK and that the care, installation and maintenance instructions have been observed. The warranty extends to the original purchaser only. You should retain a copy of your dated invoice as proof of purchase to validate any claims under this guarantee.

Care Instructions for your Kitchen Sink Mixer

To maintain the appearance of this tap, ensure that it is regularly cleaned only using a clean, soft damp cloth. A solution of warm water and a mild liquid detergent may be used where necessary and then the fitting rinsed thoroughly and wiped dry. Any other cleaning action will invalidate your warranty. If the tap has a diffuser it should be cleaned periodically.

Abrasive cleaners, scouring cleaners and acidic cleaners must not be used under any circumstances. Avoid contact with all solvents (including chlorinated solvents, ketones or acetones as these may result in surface deterioration or etching). Also avoid contact with any harsh household chemicals such as oven cleaners, drain cleaners, rust removers, paint strippers and toilet bowl cleaners, bar keepers friend or Brasso.

Important Technical Data

Minimum hot operating pressure 0.3 bar	Maximum hot water temperature 70 degrees Centigrade*
Maximum operating pressure 5.5 bar*	Recommended hot water temperature 46 degrees Centigrade

*If these temperatures or pressures are exceeded, even for short periods, damage can result.

Taps are either WRAS approved or manufactured in accordance with recognised European standards. Please ensure that your Kitchen mixer is fitted in accordance with Local Water Byelaws.

These installation guidelines have been prepared for your direction and you must exercise due care at all times. We do not accept responsibility for problems that may occur through improper installation. Whilst assembling the tap, take care not to accidentally loosen any screwed assemblies. Use PTFE tape to ensure watertight joins on threaded connections, do not over tighten connections or allow pipes to be twisted or folded.

In addition to the supply of normal domestic hot and cold water, this tap is to be used solely in conjunction with our Pure Hydration @ Home Filter System.

Using the Tap

For best results when using the filtered water always run the tap for a few moments. Running the tap will help to flush the system through and make the water cooler for drinking. When comparing the taste of filtered and unfiltered water always taste the filtered water first.

Turn the cold water lever backwards for filtered water or forwards as normal for unfiltered water.

Installation Preparation

All parts should be removed from their packaging and inspected for any transport damage prior to installation. Before installing the new mixer it is essential that you thoroughly flush through the supply pipes in order to remove any remaining solder, swarf or impurities from your system. Failure to carry out this simple procedure could cause problems or damage to the workings of the mixer tap.

We strongly recommend installing particle filters and isolation valves to both the hot and cold feed pipes in an

accessible position. This will help to prevent premature failure of the valves and ease any future maintenance.

This mixer tap requires a 35mm tap hole. If replacing an existing tap, remove the tap and clean the end of the feed pipes using wire wool. The tap hole area should be free from dirt and sealant.

Note: The tap must not pass through a surface thicker than 40mm.

Shut off your water heating system and ensure that your mains stopcock is closed. Open the lowest hot and cold taps in the house and allow the water to run until the cold water storage tank and pipes are fully empty. Please note, the hot water storage cylinder (if applicable) will always remain full.

Loosely position the tap and tail pipes to check if any alteration to the existing pipework is required, if this is the case, do this now.

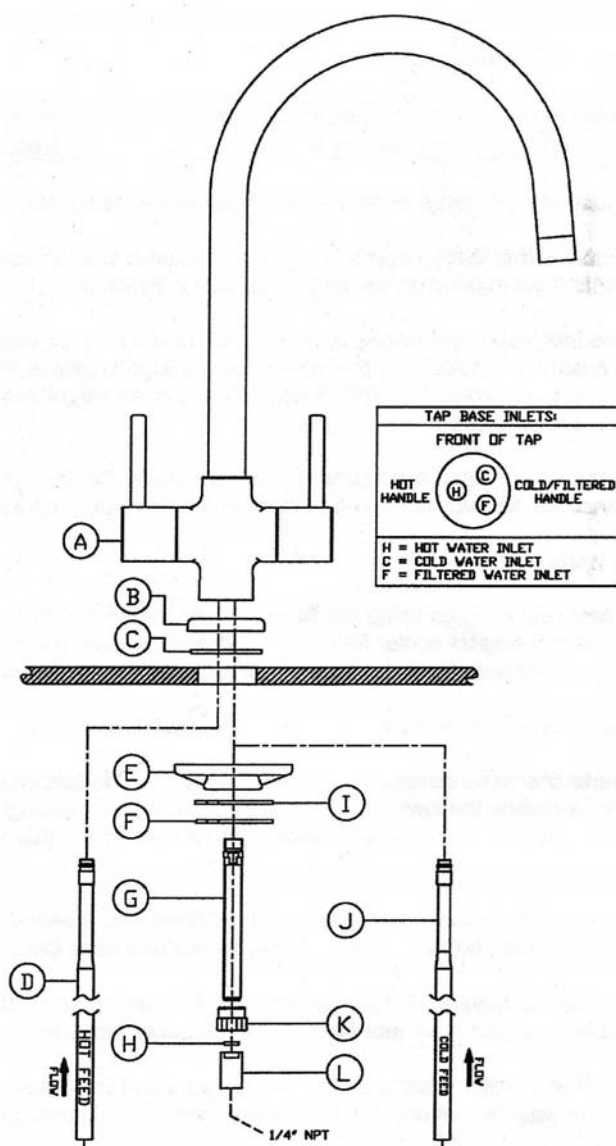
Install the Tap

1. Screw the hollow fixing stud (G) into the base of the tap using a spanner or 6mm Allen key.
Note: The drawing below identifies the water inlets.
2. Screw the hot and cold tail pipes (D & J) into the base of the tap (A).
3. Place the finish-matched plinth (B) then the upper seal (C) on to the base of the tap (A).
4. Place the tap centrally and straight to the tap hole, passing the hollow fixing stud (G) and tail pipes (D & J) through the sink.
5. Pass the rubber horseshoe (I) then the metal horseshoe (F) over the hollow fixing stud (G).
Note: if the tap is to be fitted to a stainless steel sink then the white triangular plate (E) can be fitted where shown to improve the stability of the tap.
6. Using a spanner tighten fixing nut (K) onto the hollow fixing stud (G), a box spanner or small basin wrench will help if one is available.
7. Place fibre washer (H) into adaptor (L), then tighten the adaptor (L) onto the end of the hollow fixing stud (G).
8. Attach the copper tail pipes (D & J) to the hot and cold water feed pipes using 15mm compression or end feed joints. Note: the tail pipes can be carefully bent to give more space to allow these fittings to be attached.

Key	Description	Qty
A	Tap Body	1
B	Finish Matched Plinth	1
C	Upper Sink / Worktop Seal	1
D	Rigid Hot Water Tail Pipe	1
E	White Triangular Stabilizing Plate**	1
F	Metal Horseshoe	1
G	Hollow Fixing Stud	1
H	Fibre Seal	1
I	Rubber Horseshoe	1
J	Rigid Cold Water Tail Pipe	1
K	Fixing Nut	1
L	1/4" NPT Adaptor Nut	1

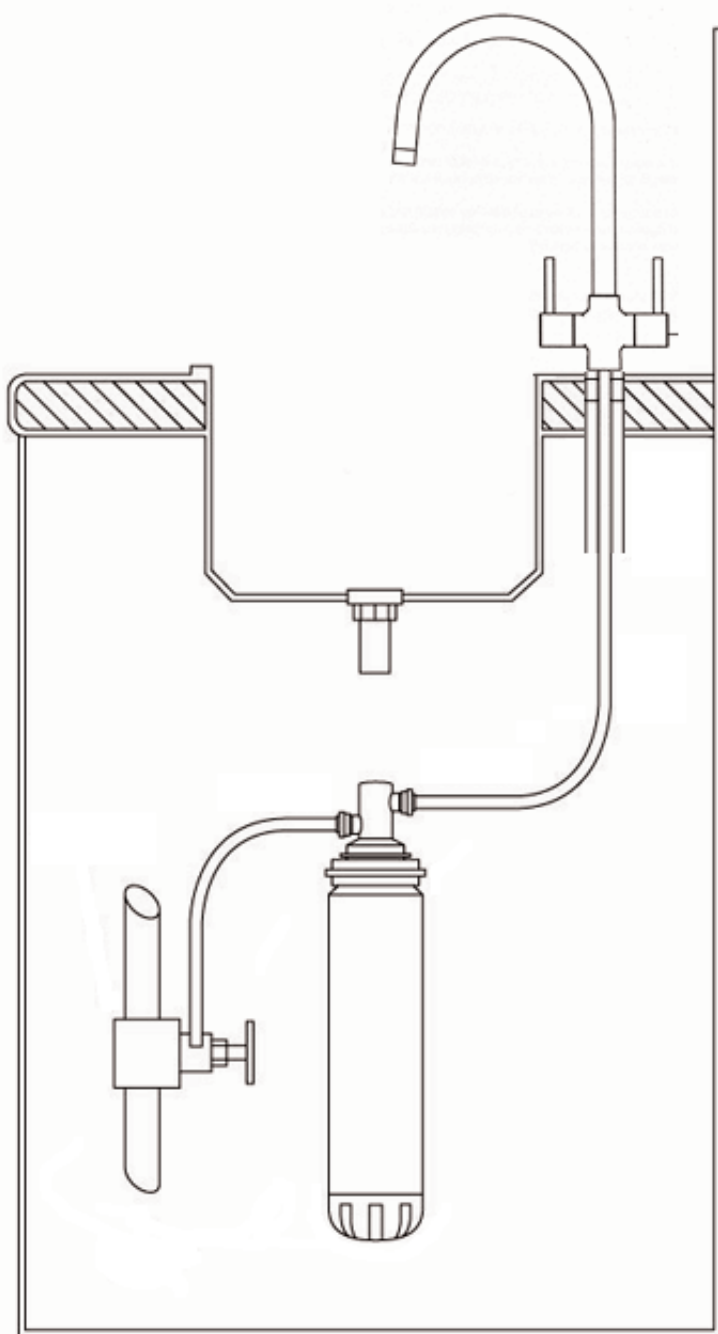
**Supplied for use with Stainless Steel sinks only.

If in doubt, ensure the mixer tap is fitted by a trained and certified plumber.



PURE HYDRATION @ HOME WATER FILTER SYSTEM

Installation



1. Fit the Filter Head

a) Attach the filter head to the cupboard using the two screws provided, ensuring that there is enough room for the filter when inserted.

2. Fit the Saddle Valve

a) Take the saddle valve that is attached to the red tube and ensure that the yellow knob is rotated fully anticlockwise. Follow the instructions included, using the correct parts for your type of pipe. The valve should be installed after the stop cock. Do not turn the adjustment knob further at this time.

3. Connect up your System

a) Clear your work space and wash your hands before proceeding further.

b) Insert one end of the blue tube into the connector on the tap and push home.

Insert the red tube that leads from the saddle valve into the left-hand side of the filter head, and the blue tube from the tap into the right-hand side.

Make sure that both tubes are pushed home firmly.

c) Insert the filter by pushing gently into the head and twist to lock into position.

d) Turn the yellow adjustment knob clockwise as far as it will go to pierce the copper pipe. Then turn the knob anticlockwise to release water into the system. This knob can be used to control the rate of flow.

After Installation

Once you have visually checked the new fittings and connections, ensure that all taps are closed except the new mixer tap, which should be left open. Turn on the water supply at the mains stopcock. As the system starts to refill, check carefully for leaks. Once you are fully satisfied that there are no leaks, turn on the water heating.

Clean the tap to remove any marks created during installation, as instructed previously. Place the bag that has been provided to protect the tap until it is ready for use.

Don't forget to complete the enclosed standing order form to take advantage of our money saving automated cartridge replacement scheme



BW Technologies Ltd - Pure Hydration @ Home Products

Abbey Business Park, Monks Walk, Farnham, Surrey, GU10 8HT, UK.

Telephone: 08075 820 000 Facsimile 01252 722 022

sales@purehydrationathome.com www.purehydrationathome.com